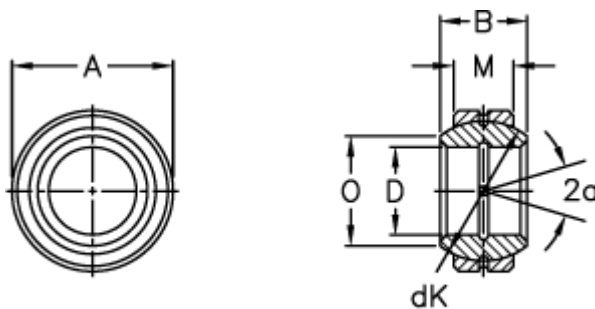


Article number: 03505050

Description: Fluro Rod end GE 50FO

Measures



Str. 6–12 uden smørerille

A	= 90 0 -0,015	Tilt angle = 17
B	= 56	Weight = 1400
D	= 50 0 -0,012	
dK	= 80	
Dynamic load C (kN)	= 245	
M	= 36	
O	= 57.1	
Static load C0 (kN)	= 1220	